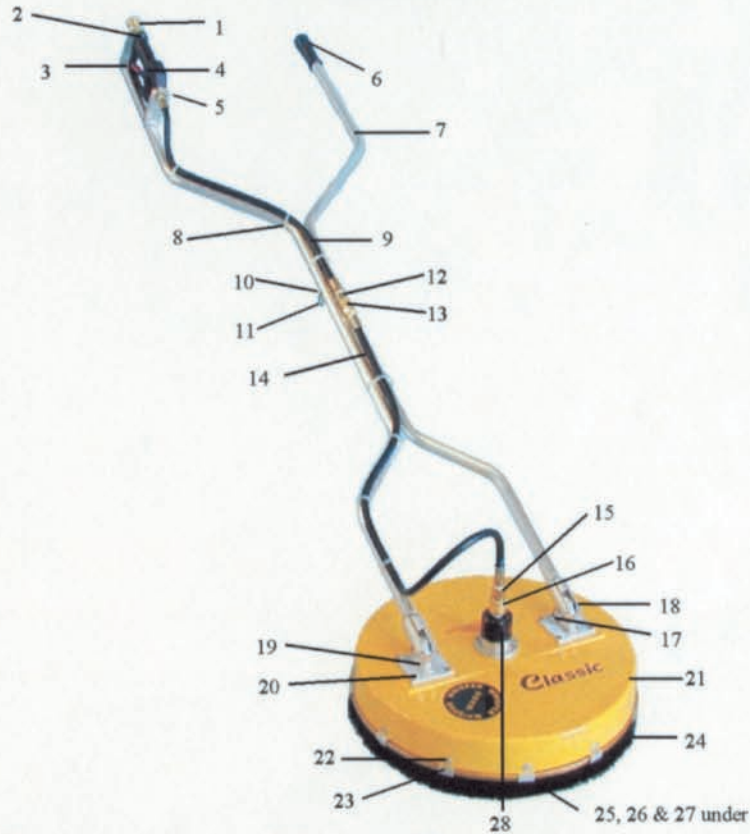


Classic Parts List

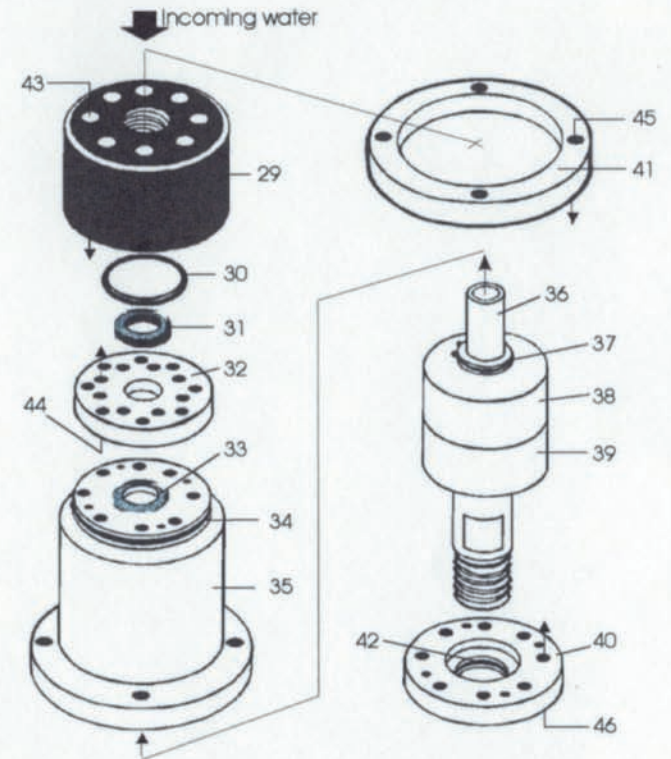
WW2000



P/N	Qty	P/N	Qty		
1. WW104	Male Socket	1	13. WW116	Female Socket	1
2. WW105	Reducer	1	14. WW117	Lower Hose	1
3. WW106	Cap	1	15. WW118	Female Plug	1
4. WW107	Trigger Gun	1	16. WW119	Male Socket	1
5. WW108	Set Screws	4	17. WW120	Ring	2
6. WW109	Grip	1	18. WW121	Clevis Pin	2
7. WW110	Handle Assembly	1	19. WW122	Handle Base	2
8. WW111	Tie Wraps	7	20. WW123	Screws/Nyloc	8
9. WW112	Upper Hose	1	21. WW124	Cover	1
10. WW113	Clevis Pin	1	22. WW125	Rivets	12
11. WW114	Ring	1	23. WW126	Clips	12
12. WW115	Female Plug	1	24. WW127	Brush	1

Swivel Assembly Parts List

WW128



P/N	Qty	P/N	Qty		
25. WW300	Balanced Spray Bar	1	36. WW136	Rotor Shaft	1
26. WW301	Spray Tip	2	37. WW137	Snap Ring	2
27. WW400	Reducer -swivel to bar	1	38. WW138	Bearing	1
28. WW128	Swivel Assembly	1	39. WW139	Bearing	1
29. WW129	Seal Cap	1	40. WW140	Lower Plate	1
30. WW130	*Static O-Ring	1	41. WW141	Clamp Ring	1
31. WW131	*Main Seal	1	42. WW142	*Quad Seal	1
32. WW132	Upper Plate	1	43. WW143	8-32 SHCS	8
33. WW133	*Secondary Seal	1	44. WW144	6-32 SHCS	8
34. WW134	*Static O-Ring	1	45. WW145	10-32 SHCS	4
35. WW135	Bearing Housing	1	46. WW146	6-32SHCS	8
WW200	Seal Kit (to rebuild swivel assembly)		Main seal and secondary seal are inserted with the spring facing incoming water.		