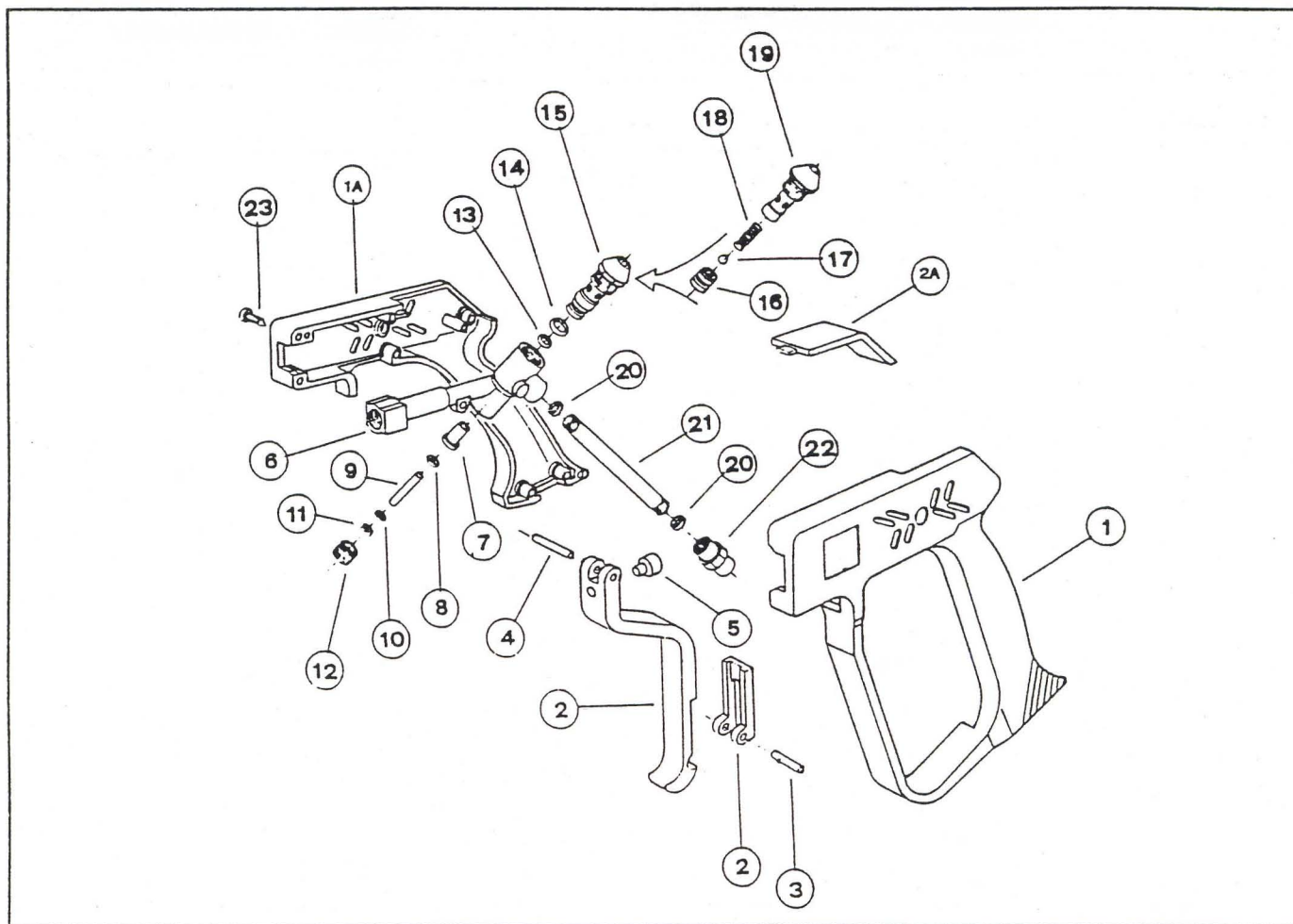


# AP-1000 Shut Off Gun



SPRAYMART PART # 353010, #353010W W/WEEP

C-Tech Part # 4-01246

Karcher Part # 9.802-229.0

POS.	PART #	DESCRIPTION	PIECES	POS.	PART #	DESCRIPTION	PIECES
1	109830	Housing, Left Nylon	1	*11	0BD3058	Backing, Solid Teflon	1
1A	109831	Housing, Right Nylon	1	12	109842	Plug, Front Trigger	1
2	109832	Trigger, Locking (Black)	1	**13	ORV012	O' Ring, Viton (75/012)	1
	109834	Trigger, Locking (Red)	1	**14	ORV014	O' Ring, Viton (75/014)	1
2A	109833	Cover, Back Access (Black)	1	**15	109856	Unitized Valve	1
	109835	Cover, Back Access (Red)	1		109857	Unitized Valve (Weep)	1
3	109836	Pin, Trigger Lock Pivot	1	20	109843	Gasket, Washer	2
4	109837	Pin, Trigger Pivot	1	21	109844	Tube, Steel Inlet	1
5	109838	Plate, Trigger Pin Contact	1	22	109845	Fitting, Inlet 3/8"	1
6	109839	Body, Forged Brass Valve	1	23	109846	Screw, Housing	7
7	109840	Bushing, Trigger Pin	1				
*8	ORV011	O' Ring, Viton (75/011)	1	*	109858	Trigger Seal Repair Kit	1
*9	109841	Pin, Trigger	1	**	109856	Unitized Valve Repair Kit	1
*10	ORV005	O' Ring, Viton (75/005)	1	**	109857	Unitized Valve Weep Kit	1