

ZZ lances are designed for hot or cold water systems and couple easily to trigger guns. The square ventilated insulator is constructed of tough reinforced polymer mounted to 1/4" zinc-plated steel pipe.

ZZDBL lances provide a convenient method of operating a downstream chemical injection system by turning the insulated adjustment handle. Designed for hot or cold water systems, ZZDBL lances couple easily to trigger guns and feature a round reinforced polymer insulator mounted to 1/4" zinc-plated steel pipe for comfort and durability.

### SPECIFICATIONS

Maximum Volume		10.5 GPM
Maximum Pressure	ZZ Lance	3500 PSI
	ZZ DBL Lance	3000 PSI
Maximum Temperature		284° F
Inlet Fitting		1/4-19 BSPP - M
Nozzle Fitting		1/4-19 BSPP - F

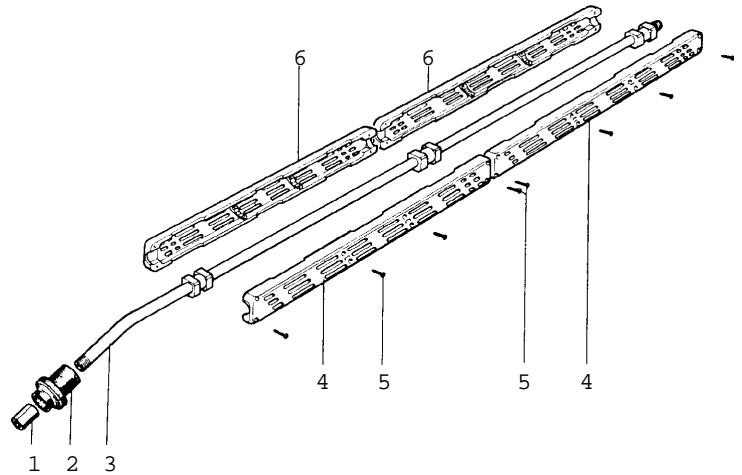
### ZZ LANCE

Part Numbers:	<b>ZZ07 - (28 in.)</b>	<b>ZZ15 - (59 in.)</b>
	<b>ZZ09 - (36 in.)</b>	<b>ZZ17 - (67 in.)</b>
	<b>ZZ12 - (48 in.)</b>	<b>ZZ20 - (79 in.)</b>

No.	Part No.	Description	Qty.
1	94.4834.00	Nipple 1/4 BSPP x 1/4 BSPP	1
	94.5130.00*	Nipple 1/4 BSPP x 1/8 BSPP	
2	18.0027.51	Nozzle Cover	1
3	18.0066.02	Lance Tube ZZ07, 28"	1
	18.0067.02	Lance Tube ZZ09, 36"	
	18.0068.02	Lance Tube ZZ12, 48"	
	18.0069.02	Lance Tube ZZ15, 59"	
	18.0070.02	Lance Tube ZZ17, 67"	
	18.0071.02	Lance Tube ZZ20, 79"	
4	18.0064.51	Right Guard	1 **
5	99.0654.00	Screw, Phillips	8 **
6	18.0065.51	Left Guard	1 **

\* Optional

\*\* Double Quantity for Lances ZZ12, ZZ15, ZZ17, ZZ20



### ZZ DBL LANCE

Part Numbers:	<b>ZZDBL - (36 in.)</b>	<b>ZZDBL72 - (72 in.)</b>
---------------	-------------------------	---------------------------

No.	Part No.	Description	Kit	Qty.
1.	94.4812.00	Nipple 1/4 BSPP x 1/4 BSPP	2	
	94.5130.00*	Nipple 1/4 BSPP x 1/8 BSPP		
2.	18.0072.89	Lance Tube ZZDBL	2	
	18.0115.89	Lance Tube ZZDBL72		
3.	18.0081.34	Plate	4	
4.	92.1975.00	Nut	2	
5.	96.6880.00	Washer	2	
6.	10.0071.41	Body	**	1
7.	90.3575.00	O-Ring, .266 ID x .070 CS	**	1
8.	10.0085.66	Valve Seat	**	1
9.	90.3577.00	O-Ring, Viton, .302 ID x .070 CS**	**	1
10.	90.5033.00	Anti-Ext. Ring	**	1
11.	10.0073.66	Shutter	**	1
12.	90.3835.00	O-Ring, .426 ID x .070 CS	**	1
13.	10.0079.61	Handle Bar	**	1
14.	94.5570.00	Handle	**	1
15.	92.2375.00	Nut	1	
16.	10.0072.70	Nipple	1	
17.	18.0082.51	Spacer	4	
18.	18.0079.51	Tube Cover	2	
19.	18.2033.89	Tube	1	
20.	94.4832.00	Inlet	1	
21.	99.1567.00	Screw	2	

\* Optional

\*\* ZZDIS Repair Assembly

